

ITEM NO.	PartNo	DESCRIPTION	QTY.
1	G18110103	WASHER, FLAT, 10, NYL	4
2	G18332219	SCREW, TYPE A, #10-32 X 1.SLDPR	4
3	G18100121	WASHER, FLAT, OS, 1/4, SS	4
4	G18332223	SCREW, HEX A, 1/4-20X1,SS	4
5	F110401	BRACKET, SINGLE, FILTER, 10	1
6	C150103	HOUSING, FILTER, 0.75, 10, WHT	1
7	C102301	ELEMENT, CARBON 10"	1
8	B101719	ELB90, .375 NPT X .375 TUBE, QK	2

**NOTICE OF CONFIDENTIALITY**  
 THE INFORMATION CONTAINED IN THIS DRAWING IS THE SOLE PROPERTY OF BLUE WATER DESALINATION LLC. ANY REPRODUCTION, CIRCULATION, AND DISTRIBUTION IN PART OR AS A WHOLE WITHOUT THE WRITTEN CONSENT OF BLUE WATER DESALINATION LLC IS STRICTLY PROHIBITED.

MATERIAL:  
 FINISH:  
 DO NOT SCALE DRAWING

**TOLERANCES**  
 UNLESS OTHERWISE SPECIFIED:  
 DIMENSIONS ARE IN INCHES AND MILLIMETER  
 FRACTIONAL: ± 1/16" ± 1.5mm  
 ANGULAR: ± 1 DEG ± 2.5mm  
 XX ± .001" ± 0.50mm  
 XXX ± .005" ± 0.127mm



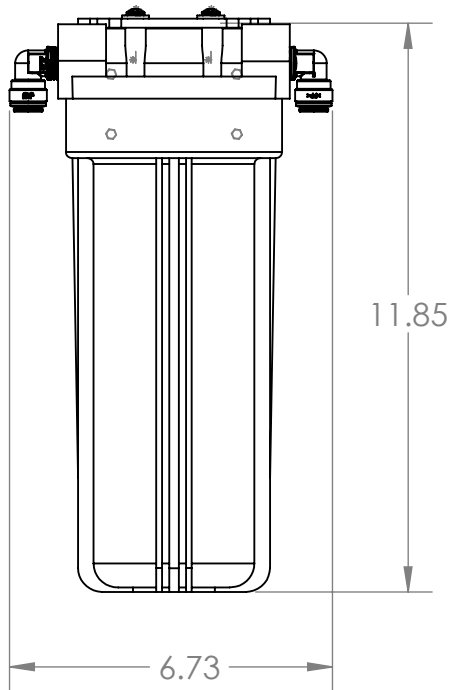
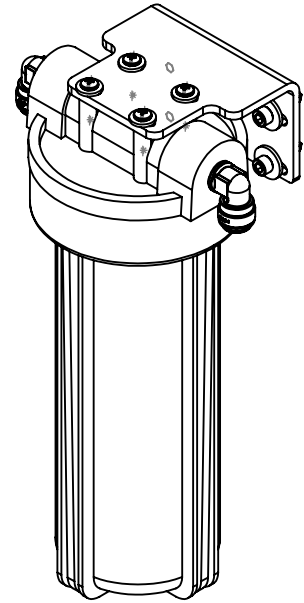
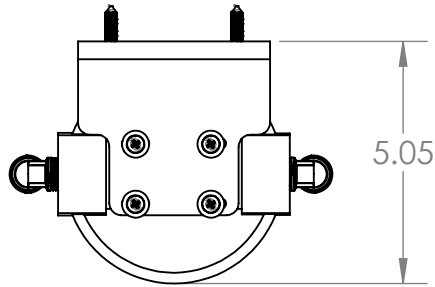
**Blue Water**  
 DESALINATION

1930 E. CARSON ST. SUITE 103  
 CARSON, CA, 90810  
 TEL: 1 (855) 55 DESAL  
 FAX: 1 (310) 684-1474  
[www.BlueWaterDesalination.com](http://www.BlueWaterDesalination.com)

TITLE: FILTER, ASSY, 10 IN, CARBON

APPROVALS	DATE
DRAWN	
CHECK	
MFG	
QUAL	
CHIEF	

SIZE	DRAWING NUMBER	REV
<b>D</b>	<b>FL1202</b>	<b>NR</b>
SCALE:	WEIGHT:	SHEET 1 OF 2



**NOTICE OF CONFIDENTIALITY**

THE INFORMATION CONTAINED IN THIS DRAWING IS THE SOLE PROPERTY OF BLUE WATER DESALINATION LLC. ANY REPRODUCTION, CIRCULATION, AND DISTRIBUTION IN PART OR AS A WHOLE WITHOUT THE WRITTEN CONSENT OF BLUE WATER DESALINATION LLC IS STRICTLY PROHIBITED.

MATERIAL:  
FINISH:  
DO NOT SCALE DRAWING

**TOLERANCES**  
UNLESS OTHERWISE SPECIFIED:  
DIMENSIONS ARE IN INCHES AND MILLIMETER  
FRACTIONAL: ± 1/16" ± 1.5mm  
ANGULAR: ± 1 DEG  
X ± 0.1" ± 2.5mm  
XX ± 0.01" ± 0.50mm  
XXX ± 0.005" ± 0.127mm

APPROVALS	DATE
DRAWN	
CHECK	
MFG	
QUAL	
CHIEF	



**Blue Water**  
DESALINATION

1930 E. CARSON ST. SUITE 103  
CARSON, CA. 90810  
TEL: 1 (855) 55 DESAL  
FAX: 1 (310) 684-1474  
www.BlueWaterDesalination.com

TITLE:  
FILTER, ASSY, 10 IN, CARBON

SIZE <b>D</b>	DRAWING NUMBER <b>FL1202</b>	REV <b>NR</b>
SCALE:	WEIGHT:	SHEET 2 OF 2